

ECO BOX

ECOBX STATIC UNIT

**100% ELECTRIC HOT
ASPHALT STORAGE**



**GREENER
ASPHALT SOLUTIONS LTD**

BLACK HAS NEVER BEEN SO GREEN



Asphalt HotBox, keeping your valuable asphalt hot and fresh for days not just hours.

1ton/2ton/3ton/ 5ton/ 10ton/ 15ton/ 20ton and 30ton holding capacities available.

Can be all electric gas, bio fuel, or heating oil fuelled.

Easy to operate with hydraulic or Pneumatic door operation.

Fully insulated including floor, doors and lid. Bespoke screw augers for discharge can be fitted on request.

Truck mounted or trailer options available.



The patented technology allows complete heat distribution across the entire ecobox without hot spots

The ecobox is thermostatically controlled in order to maintain the temperature of the hot asphalt.

Greener Asphalt Solutions Limited

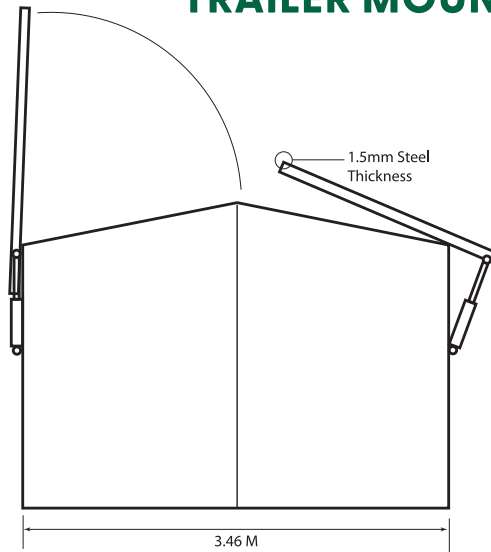
Unit 12 Hill Lane industrial Estate | Markfield | Leicestershire | LE67 9PY

+44 (0)1530 249 266 info@greenerasphalt.com www.greenerasphalt.com

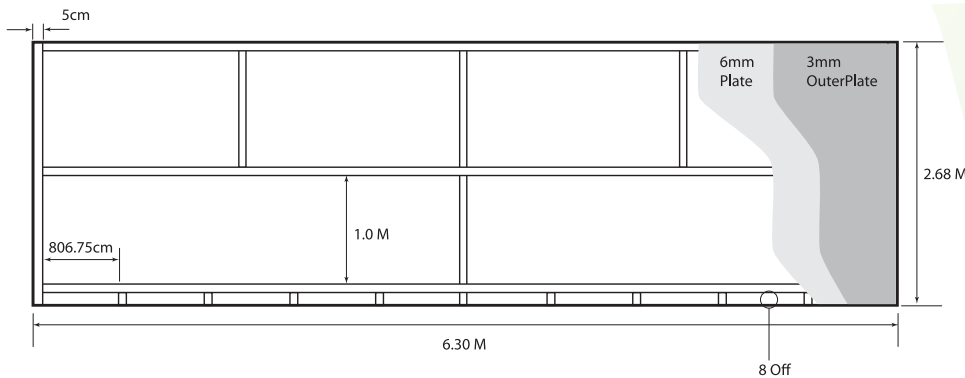
ECO BOX

ECOBX STATIC UNIT (30ton specifications)

TRAILER MOUNTED OR STATIC



- Thermostatically Controlled
- Electrical Supply
- Thermal Mats + Rock Wool



Asphalt HotBox, keeping your valuable asphalt hot and fresh for days not just hours.

Our static range includes:

1ton • 2ton • 3ton • 5ton • 10ton • 15ton • 20ton • 30ton

These tonnages are the holding capacities of each static unit.

Can be all electric gas, bio fuel, or heating oil fuelled.

The units are easy to operate with hydraulic door operation.

Fully insulated including floor, doors and lid.

*Dimensions are approximate



**GREENER
ASPHALT SOLUTIONS LTD**

ECO | BOX

Greener Asphalt Solutions Limited

Unit 12 Hill Lane Industrial Estate | Markfield | Leicestershire | LE67 9PY

+44 (0)1530 249 266 info@greenerasphalt.com www.greenerasphalt.com



**MANUFACTURED
IN THE UK**